

**Our Mission...**  
*to be responsible stewards of the public trust,  
to strive for excellence in public service, and  
to enhance the quality of life for all.*

---



## **FLATWORK INSPECTIONS IN R.O.W.**

**An inspection for the removal of the curb/street cuts shall be called in on the Building permit. The inspection is curb/street cut removal.**

The cutting of curb or street for removal to construct a private driveway shall not be initiated any sooner than seven (7) days prior to the actual construction of the driveway.

If the driveway is not or cannot be completed within the 7 day time frame in which the excavation was made, excavation must be filled with positive drainage until such time that driveway construction can be commenced and completed.

**Driveway approaches and city sidewalks shall be installed per the City of Wylie Engineering Design Standards shown on the reversed side.**

**Within 24 hours of a rain event, the approach shall be pumped out of all standing water.**

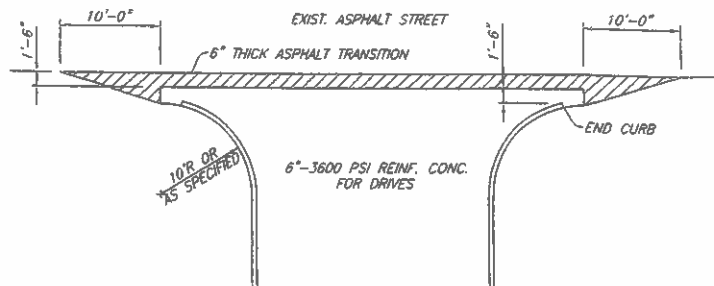
Should you have questions or concerns, please do not hesitate to contact our office at **972-516-6420**.

**Brian Killebrew, MCP, CBO**

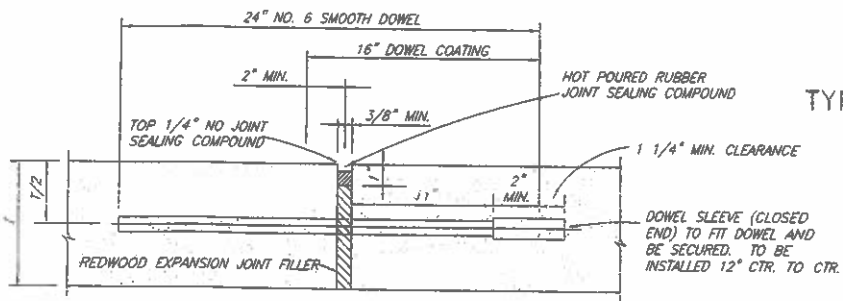
Building Official  
City of Wylie  
300 Country Club Road #100  
Wylie, Texas 75098

(P) # 972-516-6422

(F) # 972-516-6432



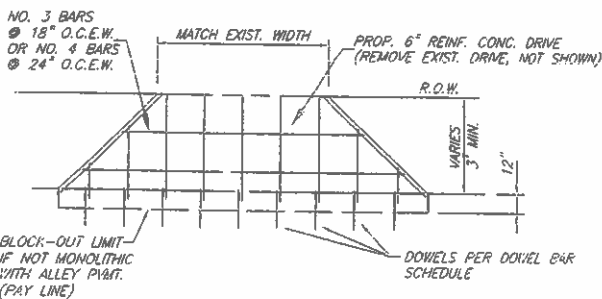
TYPICAL DRIVE OR STREET CONNECTION TO EXISTING ASPHALT STREET



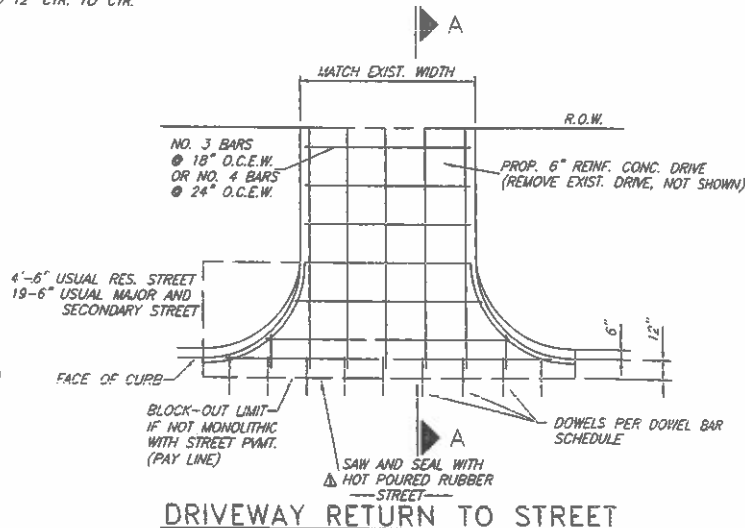
TRANSVERSE EXPANSION JOINT NOTES:

1. DOWELS AND REINFORCING BARS SHALL BE SUPPORTED BY AN APPROVED DEVICE.
2. TRANSVERSE EXPANSION JOINTS SHALL BE LOCATED AT ALL INTERSECTIONS.

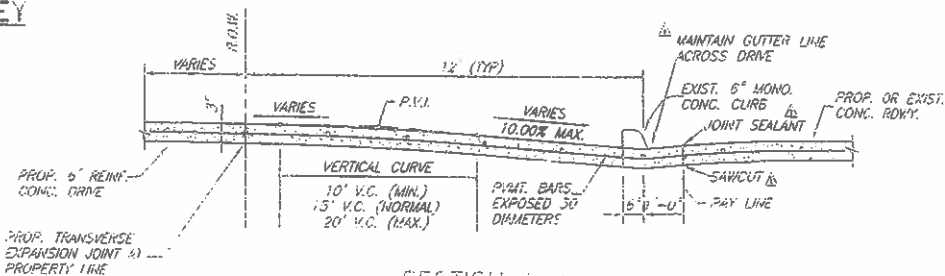
TRANSVERSE EXPANSION JOINT



DRIVEWAY RETURN TO ALLEY



DRIVEWAY RETURN TO STREET



SECTION A-A

DOWEL BAR SCHEDULE		
SLAB DEPTH INCHES	DOWEL DIAMETER INCHES	DOWEL LENGTH INCHES
5	5/8	14
6	3/4	16
7	7/8	18
8	1	18
9	1-1/8	18

NO.		REVISE DRIVEWAY NOTES	BY	DATE
CITY OF WYLIE, TEXAS				
STANDARD CONSTRUCTION DETAILS				
DRIVEWAYS				
DATE:		APRIL, 2014		SHEET STD-05_R